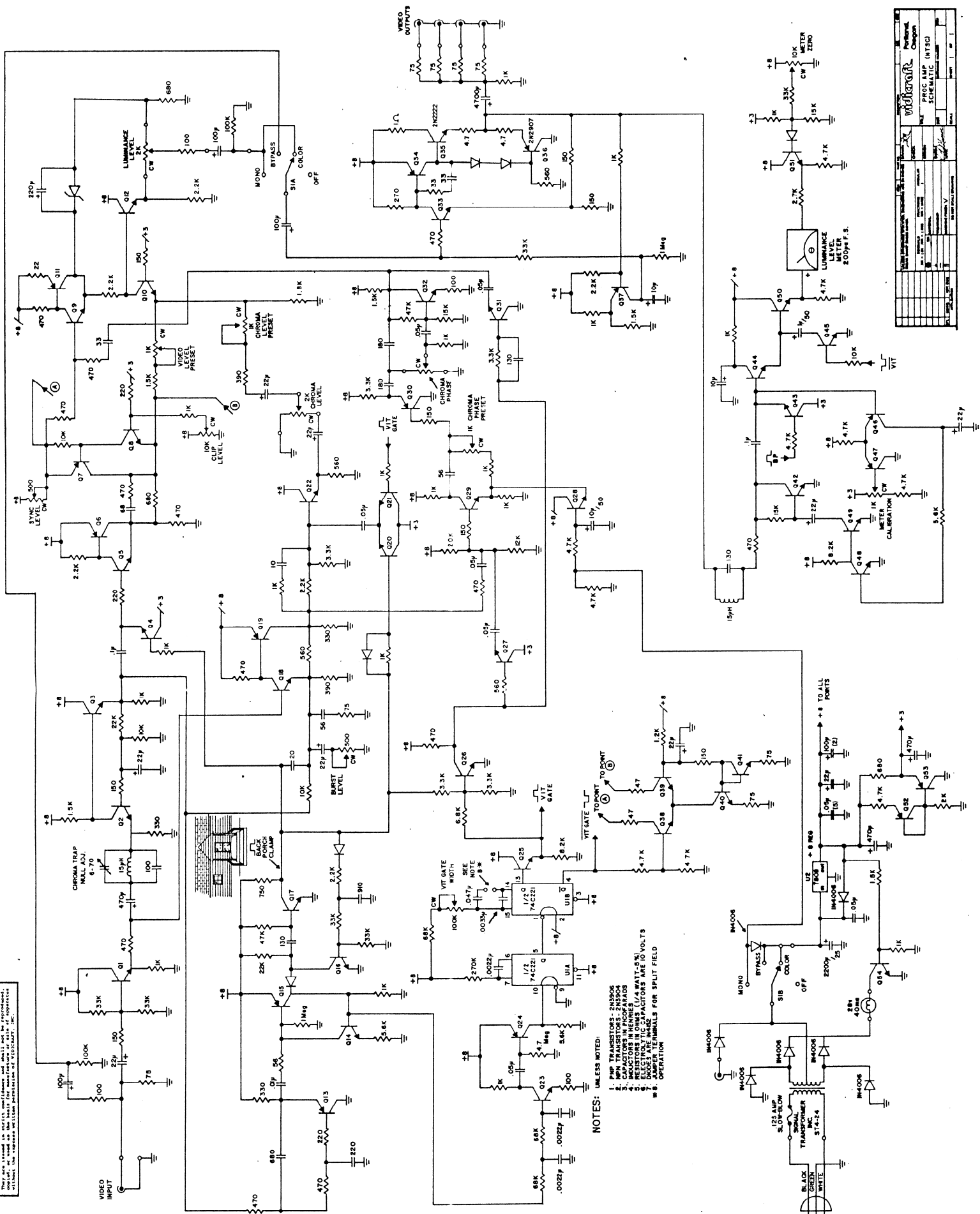


There are many other parts in this kit that are not shown on this schematic. These parts are listed in the kit list and are available from the kit manufacturer. The kit list is located in the kit box and is a valuable reference for the user.



NOTES: UNLESS NOTED:

- 1. PNP TRANSISTORS - 2N3890S
- 2. CAPACITORS IN MICROFARADS
- 3. CAPACITORS IN PICOFARADS
- 4. RESISTORS IN OHMS
- 5. RESISTORS IN KILOHMS
- 6. RESISTORS IN MEGOHMS
- 7. ELECTROLYTIC CAPACITORS ARE 10 VOLTS
- 8. JUMPER TERMINALS FOR SPLIT FIELD
- 9. OPERATION

**Wilson** Precision Electronic Equipment Division  
KIT # 1000  
PRAC AMP (NTSC)  
SCHEMATIC  
WILSON ELECTRONIC EQUIPMENT DIVISION  
1000 1/2 ST. S. W. BOSTON, MASS. 02118